

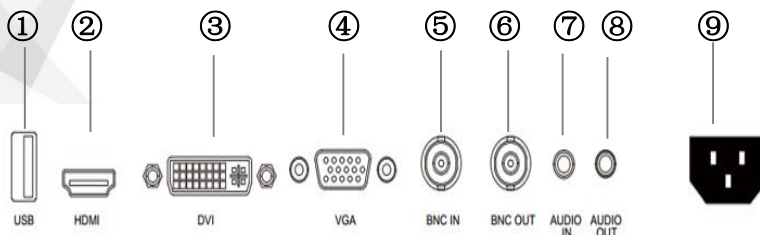
## DS-D5032FC-A 31.5" Monitor



### Key Features

- Adopt 3-D digital comb filter
- True color OSD and user-friendly operation menu
- 1 channel HDMI 1.4 input interface, support HDCP
- Adopt 3D noise reduction technology
- Programmable 12-bit RGB gamma correction technology
- Support software spread-spectrum technology to reduce EMI radiation
- Adopt Mstar ACE-5 auto color and image enhancement engine, improve image contrast, detail and edge
- High reliability and stability, 24/7 operation
- Green energy: Supporting set standby mode while no signal input, set the sleep time

### Interfaces



NO.	Description
1	USB
2	HDMI: HDMI signal input
3	DVI: DVI signal input
4	VGA: VGA Analog Signal Input
5	BNC IN: BNC signal input
6	BNC OUT: BNC signal output
7	AUDIO IN
8	AUDIO OUT
9	AC power input

### Model

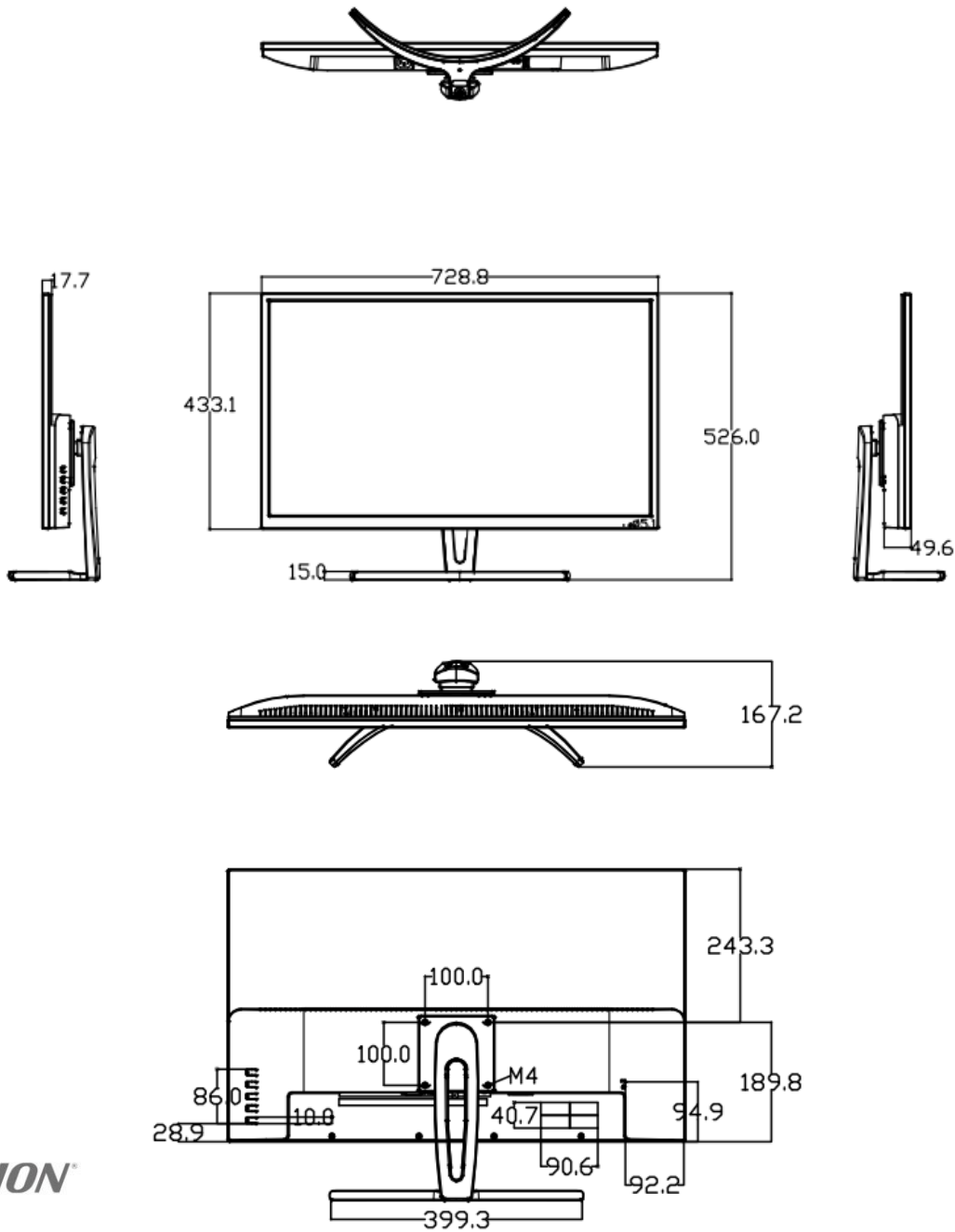
DS-D5032FC-A



# Specifications

<b>Model</b>	DS-D5032FC-A	
<b>Backlight</b>	LED Backlight	
<b>Screen Size</b>	31.5 inch	
<b>Pixel Pitch</b>	0.12125 mm (H) × 0.36375 mm (V)	
<b>Max Resolution</b>	1920×1080@60Hz	
<b>Brightness</b>	300 cd/m <sup>2</sup>	
<b>Contrast</b>	1000: 1	
<b>Response Time</b>	8 ms	
<b>Color</b>	16.7M	
<b>Active Area (H×V)</b>	698.40 mm x 392.85 mm	
<b>Viewing Angle</b>	Horizontal 178°, vertical 178°	
<b>Interfaces</b>	DVI input	1
	HDMI input	1
	VGA input	1
	BNC(in/out)	In×1, Out×1
	PC Audio(in/out)	In×1, Out×1, 3.5 mm mini-jack
	USB	1
<b>Loudspeaker</b>	2 W x 2, 6Ω	
<b>Power Supply</b>	AC 100 ~ 240 V , 50/60 Hz	
<b>Power Consumption</b>	≤45W	
<b>Standby Power Consumption</b>	≤ 0.5 W	
<b>Working Temperature</b>	0 to 40 ° C (32 to 104 ° F)	
<b>Working Humidity</b>	10 to 85 %	
<b>Storage Temperature</b>	-10 to 55 ° C (-4 to 131 ° F)	
<b>Storage Humidity</b>	5 to 95%	
<b>Color of Casing</b>	Black	
<b>VESA</b>	M4, 100 mm × 100 mm	
<b>Dimensions(W*H*D)</b>	729mm x 433mm x 50mm / 728.8mm x 526mm x 167.2mm(with base)	
<b>Package Dimension (W×H×D)</b>	803mm x 513mm x 197mm	
<b>Gross Weight</b>	9.25Kg	
<b>Net Weight</b>	5.75kg	
<b>Accessories</b>	VGA cable	1
	HDMI cable	1
	Power cord	1
	Remote control	1
	Battery	2
	User manual	1
	Base bracket	1
	Warranty card	1
<b>Bracket</b>	Base bracket	Contain 1
	Wall mounted	Optional DS-DM1940W
<b>*Note</b>	All specifications mentioned above are subject to the actual product	

## Dimensions (unit: mm)



Distributed by



**HIKVISION**

**Headquarters**

No.555 Qianmo Road, Binjiang District,  
Hangzhou 310051, China  
T +86-571-8807-5998  
overseasbusiness@hikvision.com

**Hikvision USA**  
T +1-909-895-0400  
sales.usa@hikvision.com

**Hikvision Italy**  
T +39-0438-6902  
info.it@hikvision.com

**Hikvision Singapore**  
T +65-6684-4718  
sg@hikvision.com

**Hikvision Africa**  
T +27 (10) 0351172  
sale.africa@hikvision.com

**Hikvision Europe**  
T +31-23-55-42-770  
info.eu@hikvision.com

**Hikvision France**  
T +33(0)1-85-330-450  
info.fr@hikvision.com

**Hikvision Oceania**  
T +61-2-8599-4233  
salesau@hikvision.com

**Hikvision Hong Kong**  
T +852-2151-1761

**Hikvision Middle East**  
T +971-4-8816086  
salesme@hikvision.com

**Hikvision Spain**  
T +34-91-737-16-55  
info.es@hikvision.com

**Hikvision Canada**  
T +1-909-895-0400  
sales.usa@hikvision.com

**Hikvision Russia**  
T +7-495-669-67-99  
saleru@hikvision.com

**Hikvision Poland**  
T +48-22-460-01-50  
poland@hikvision.com

**Hikvision Korea**  
T +82-31-731-8841  
sales.korea@hikvision.com

**Hikvision India**  
T +91-22-28469900  
sales@pramahikvision.com

**Hikvision UK**  
T +01628-902140  
support.uk@hikvision.com

**Hikvision Brazil**  
T +55 11 3318-0050  
Latam.support@hikvision.com